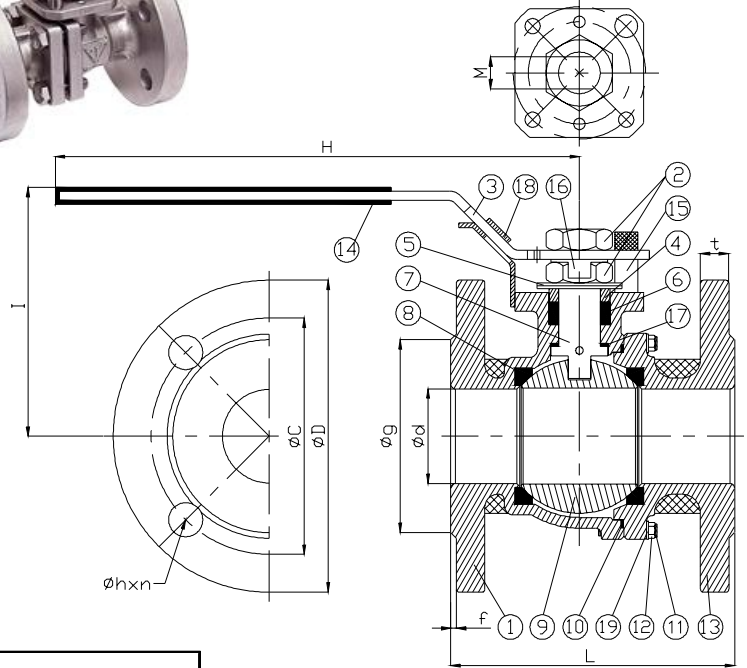


- FEATURE:** **API-607 Firesafe Approved Certificate**
Disc-Spring Loaded (Belleville Disc)
ISO-5211 Top Flange, Ball with Relief Hole
- Design:** EN12516-1:2000, ASME B16.34
- Face-Face:** EN558-1 GR. 1/27 Length, ANSI-B16.10
- Material:** S/S; EN10213-4:1.4408; ASTM A351-CF8M
 C/S; EN10213-1:1.0619; ASTM A216-WCB
- Flange:** **EN1092-1: PN16/PN40**
ANSI-B16.5 Class 150/300 (EN1759-1)
- Testing:** According to EN12266-1,2 (API-598)
- Certificate:** EN10204-3.1B
- Temp.:** -10°C to 200°C (-50°F to 400°F)
- Seat/Seal:** PTFE (Virgin Pure PTFE)
- Stem:** S/S316 Blow-out Proof with Anti-Static Device
- OPTIONS:** Padlocking Device, 25% R-PTFE Available
 Graphite Seat/Gasket for **API-607 Approved**
 Gear Operator or Pneumatic Actuator



DJV-2FH (Full Bore)
API 607 4th EDITION
Certified



| Test Pressure | | |
|----------------|-----------|-----------|
| Test | Class 150 | Class 300 |
| Shell by water | 435 PSIG | 1125 PSIG |
| Seat by water | 319 PSIG | 825 PSIG |
| Seat by air | 100 PSIG | 100 PSIG |

| DIMENSIONS (mm): DIN-PN16 | | | | | | | | | | | | | | | | |
|--|-----|-----|-----|-----|----|---|----|---|-----|-----|-----|------|----|----------|---------|----------|
| DN | d | D | C | g | t | f | h | n | H | I | L | | M | ISO-5211 | WT (KG) | TQ (N.m) |
| | | | | | | | | | | | GR1 | GR27 | | | | |
| For DN15 to DN40 Please See Dimension of PN-40 | | | | | | | | | | | | | | | | |
| 50 | 50 | 165 | 125 | 102 | 18 | 3 | 18 | 4 | 275 | 136 | 230 | 150 | 14 | F07 | 13.5 | 50 |
| 65 | 65 | 185 | 145 | 122 | 18 | 3 | 18 | 8 | 275 | 150 | 290 | 170 | 14 | F07 | 17 | 60 |
| 80 | 80 | 200 | 160 | 138 | 20 | 3 | 18 | 8 | 372 | 185 | 310 | 180 | 19 | F10 | 22 | 90 |
| 100 | 100 | 220 | 180 | 158 | 20 | 3 | 18 | 8 | 372 | 200 | 350 | 190 | 19 | F10 | 30 | 132.6 |

| DIMENSIONS (mm): DIN-PN40 | | | | | | | | | | | | | | | | |
|---------------------------|-----|-----|-----|-----|----|---|----|---|-----|-----|-----|-----|----------|---------|----------|-------|
| DN | d | D | C | g | t | f | h | n | H | I | L | M | ISO-5211 | WT (KG) | TQ (N.m) | |
| 15 | 15 | 95 | 65 | 45 | 16 | 2 | 14 | 4 | 163 | 86 | 130 | 115 | 8 | F04 | 2.6 | 6 |
| 20 | 20 | 105 | 75 | 58 | 18 | 2 | 14 | 4 | 163 | 92 | 150 | 120 | 8 | F04 | 3.3 | 6 |
| 25 | 25 | 115 | 85 | 68 | 18 | 2 | 14 | 4 | 174 | 106 | 160 | 125 | 10 | F05 | 4.7 | 20 |
| 32 | 32 | 140 | 100 | 78 | 18 | 2 | 18 | 4 | 174 | 114 | 180 | 130 | 10 | F05 | 6.34 | 27.5 |
| 40 | 40 | 150 | 110 | 88 | 18 | 3 | 18 | 4 | 214 | 116 | 200 | 140 | 10 | F05 | 7.8 | 40 |
| 50 | 50 | 165 | 125 | 102 | 20 | 3 | 18 | 4 | 275 | 136 | 230 | 150 | 14 | F07 | 12.8 | 50 |
| 65 | 65 | 185 | 145 | 122 | 22 | 3 | 18 | 8 | 275 | 150 | 290 | 170 | 14 | F07 | 18 | 60 |
| 80 | 80 | 200 | 160 | 138 | 24 | 3 | 18 | 8 | 372 | 185 | 310 | 180 | 19 | F10 | 23 | 90 |
| 100 | 100 | 235 | 190 | 162 | 24 | 3 | 22 | 8 | 372 | 200 | 350 | 190 | 19 | F10 | 33 | 132.6 |

| DIMENSIONS (mm): ANSI-150# | | | | | | | | | | | | | | | | |
|----------------------------|-----|-----|-------|-------|------|-----|------|---|-----|-----|-----|----|----------|---------|----------|--|
| INCH | d | D | C | g | t | f | h | n | H | I | L | M | ISO-5211 | WT (KG) | TQ (N.m) | |
| 1/2" | 15 | 89 | 60.3 | 34.9 | 11.1 | 1.5 | 15.9 | 4 | 163 | 86 | 108 | 8 | F04 | 1.7 | 6 | |
| 3/4" | 20 | 98 | 69.8 | 42.9 | 11.1 | 1.5 | 15.9 | 4 | 163 | 92 | 117 | 8 | F04 | 2.2 | 6 | |
| 1" | 25 | 108 | 79.4 | 50.8 | 11.1 | 1.5 | 15.9 | 4 | 174 | 106 | 127 | 10 | F05 | 3.1 | 20 | |
| 1-1/4" | 32 | 117 | 88.9 | 63.5 | 12.7 | 1.5 | 15.9 | 4 | 214 | 114 | 140 | 10 | F05 | 4.5 | 27.5 | |
| 1-1/2" | 40 | 127 | 98.4 | 73 | 14.3 | 1.5 | 15.9 | 4 | 214 | 116 | 165 | 10 | F05 | 5.5 | 40 | |
| 2" | 50 | 152 | 120.6 | 92.1 | 15.7 | 1.5 | 19 | 4 | 275 | 136 | 178 | 14 | F07 | 10 | 50 | |
| 2-1/2" | 65 | 178 | 139.7 | 104.8 | 17.5 | 1.5 | 19 | 4 | 275 | 150 | 190 | 14 | F07 | 13.6 | 60 | |
| 3" | 80 | 190 | 152.4 | 127 | 19.1 | 1.5 | 19 | 4 | 372 | 185 | 203 | 19 | F10 | 20.2 | 90 | |
| 4" | 100 | 229 | 190.5 | 157.2 | 23.8 | 1.5 | 19 | 8 | 372 | 200 | 229 | 19 | F10 | 29.4 | 132.6 | |

| DIMENSIONS (mm): ANSI-300# | | | | | | | | | | | | | | | | |
|----------------------------|-----|-----|-------|-------|------|-----|------|---|-----|-----|-----|----|----------|---------|----------|--|
| INCH | d | D | C | g | t | f | h | n | H | I | L | M | ISO-5211 | WT (KG) | TQ (N.m) | |
| 1/2" | 15 | 95 | 66.7 | 34.9 | 14.3 | 1.5 | 15.9 | 4 | 163 | 86 | 140 | 8 | F04 | 2.15 | 6 | |
| 3/4" | 20 | 117 | 82.6 | 42.9 | 15.7 | 1.5 | 19 | 4 | 163 | 92 | 152 | 8 | F04 | 3.2 | 6 | |
| 1" | 25 | 124 | 88.9 | 50.8 | 17.5 | 1.5 | 19 | 4 | 174 | 106 | 165 | 10 | F05 | 4 | 20 | |
| 1-1/4" | 32 | 133 | 98.4 | 63.5 | 19.1 | 1.5 | 19 | 4 | 214 | 114 | 178 | 10 | F05 | 5.8 | 27.5 | |
| 1-1/2" | 40 | 156 | 114.3 | 73 | 20.6 | 1.5 | 22.2 | 4 | 214 | 116 | 190 | 10 | F05 | 7.2 | 40 | |
| 2" | 50 | 165 | 127 | 92.1 | 22.4 | 1.5 | 19 | 8 | 275 | 136 | 216 | 14 | F07 | 10.1 | 50 | |
| 2-1/2" | 65 | 190 | 149.2 | 104.8 | 25.4 | 1.5 | 22.2 | 8 | 275 | 150 | 241 | 14 | F07 | 16.3 | 60 | |
| 3" | 80 | 210 | 168.3 | 127 | 28.4 | 1.5 | 22.2 | 8 | 372 | 185 | 283 | 19 | F10 | 23 | 90 | |
| 4" | 100 | 254 | 200 | 157.2 | 31.8 | 1.5 | 22.2 | 8 | 372 | 200 | 305 | 19 | F10 | 35.3 | 132.6 | |

| MATERIAL LIST | | | |
|---------------|--------------------|-----------------|------|
| NO. | PART | MATERIAL | Q'TY |
| 1 | Body | 1.4408/CF8M | 1 |
| 2 | Stem Nut | A2-70/A194-8A | 2 |
| 3 | Handle | 1.4301/SS304 | 1 |
| 4 | Gland Ring | 1.4401/A276-316 | 1 |
| 5 | Belleville Disc | S/S301 | 2 |
| 6 | Stem Packing | PTFE | 2 |
| 7 | Anti-Static Stem | 1.4401/A276-316 | 1 |
| 8 | Seat | PTFE | 2 |
| 9 | Ball - Relief Hole | 1.4408/CF8M | 1 |
| 10 | Seal | PTFE | 1 |
| 11 | Stud | A2-70/A194-8A | 4~8 |
| 12 | Nut | A2-70/A194-8A | 4~8 |
| 13 | Cap | 1.4408/CF8M | 1 |
| 14 | Handle Sleeve | Plastic | 1 |
| 15 | Stop Pin | 1.4301/SS304 | 1 |
| 16 | Nut Stopper | 1.4301/SS304 | 1 |
| 17 | Thrust Washer | PTFE | 1 |
| 18 | Locking Device | 1.4301/SS304 | 1 |
| 19 | Washer | 1.4301/SS304 | 4~8 |

