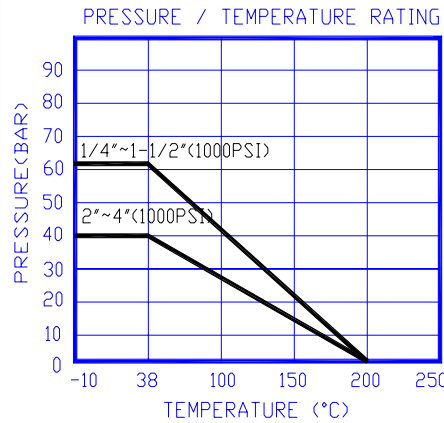


- **Port Bore:** Full Bore
- **Material:** S/S; ASTM A351-CF8M; EN10213-4:1.4408  
C/S; ASTM A216-WCB; EN10213-1:1.0619
- **Pressure:** **1000PSI** (PN63) for 1/4" to 1-1/2"  
**1000PSI** (PN40) for 2" to 4"
- **Testing:** According to API-598 (EN12266-1,2)
- **Certificate:** EN10204-3.1B
- **Temp.:** -50°F to 400°F (-10°C to 200°C)
- **Seat/Seal:** 15% RPTFE (Reinforced Glassfiber) / PTFE
- **Stem:** S/S316 Blow-out Proof with Anti-Static Device
- **OPTIONS:** Padlocking Device  
Pneumatic or Electric Actuator

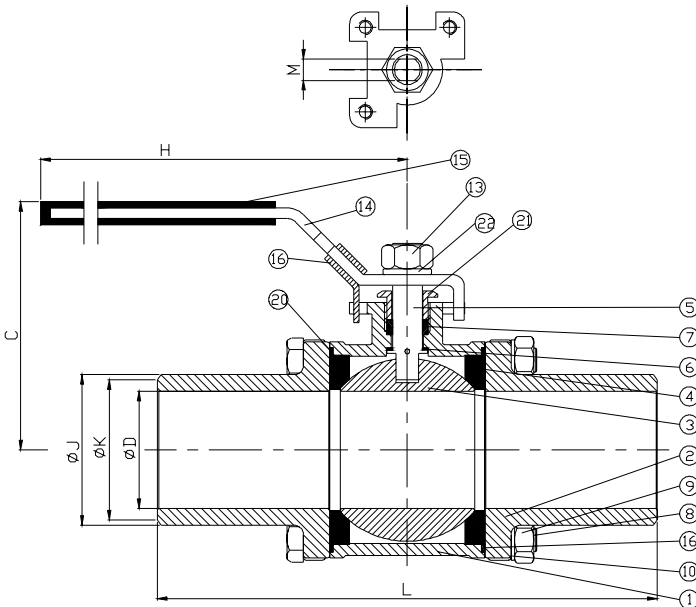
NO.	PART	MATERIAL	Q'TY	NO.	PART	MATERIAL	Q'TY
1	Body	CF8M/1.4408	1	12	Nut Stopper	S/S304	1
2	Cap	CF8M/1.4408	2	13	Stem Nut	S/S304	2
3	Ball	S/S316	1	14	Handle	S/S304	1
4	Seat	RPTFE	2	15	Handle Sleeve	Plastic	1
5	Anti-Static Stem	S/S316	1	16	Locking Device	S/S304	1
6	Thrust Washer	PTFE	1	17	Gland Ring	S/S301	1
7	Stem Packing	PTFE	2	18	Hex Cap Screw	S/S304	1
8	Bolt	S/S304	4~6	19	Stop Pin	S/S304	1
9	Hex Nut	S/S304	4~12	20	Seal	PTFE	2
10	Bolt Washer	S/S304	4~12	21	Gland Nut	S/S304	1
11	Belleville Disc	S/S304	2	22	Stem Washer	S/S304	1



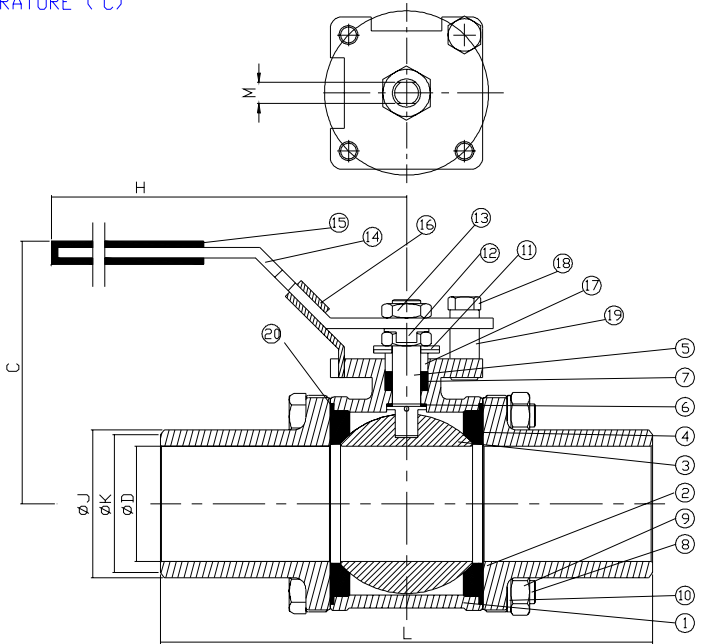
**DJV-9302N**  
**ISO-5211 Top Flange**  
**Extended Butt-Weld End**



**DJV-9302NC**  
**ISO-5211 Top Flange**  
**Extended Butt-Weld End**  
**Disc-Spring Loaded**



Dime Size	D	L	C	H	J	K	M	ISO-5211	WT (KG)	TQ (N.m)
1/2"	15	180	61	118	23.5	19.4	6.5	F04	0.85	5
3/4"	20	180	66	118	29	25.4	6.5	F04	1.10	10
1"	25	180	78	152	35.7	30.9	8	F04	1.65	11
1-1/4"	32	200	82	152	45	40.1	8	F04	2.40	20
1-1/2"	38	200	95	189	51	46.4	9	F05	3.20	26
2"	49	210	104	189	63	58.7	9	F05	4.55	30
2-1/2"	65	240	148	254	79	70.5	12	F07	8.75	70
3"	80	280	155	254	92	87	12	F07	11.8	90
4"	100	280	184	282	117	106.5	16	F10	21.95	120



Dime Size	D	L	C	H	J	K	M	ISO-5211	WT (KG)	TQ (N.m)
1/2"	15	180	65	133	23.5	19.4	5	F04	0.83	5
3/4"	20	180	71	133	29	25.4	7	F04	1.04	10
1"	25	180	78	165	35.7	30.9	7	F05	1.59	11
1-1/4"	32	200	84	165	45	40.1	7	F05	2.55	20
1-1/2"	38	200	102	201	51	40.6	9	F05	3.27	26
2"	49	210	110	214	62	58.7	9	F07	5.03	30
2-1/2"	65	240	155	276	78	70.5	12	F07	10.4	70
3"	80	280	162	372	91	87	12	F10	14.8	90
4"	100	280	193	373	116.3	106.5	16	F10	25.7	120