

- **Face-face:** GB12238, BS5155, API609, MSS SP-76, DIN 3202-K1
- **Material:** FC-20 (Cast Iron), FCD-45 (Ductile Iron), CF8M (S/S316), Aluminum Bronze, Carbon Steel
- **Flange:** JIS-10K, BS-10E, DIN-PN10, ANSI-125
- **Disc:** FCD-45 (Ductile Iron), CF8M (S/S316), CF8 (S/S304) Aluminum Bronze, Nylon Loated & PTFE
- **Liner:** NBR, EPDM, Noeprene, Silicone, Hypalon, Viton, PTFE
- **Testing:** According to API-598 (EN12266-1,2)
- **Certificate:** EN10204-3.1B
- **Temp.:** -50°F to 400°F (-10°C to 200°C)
- **OPTIONS:** Gear Operator or Pneumatic Actuator

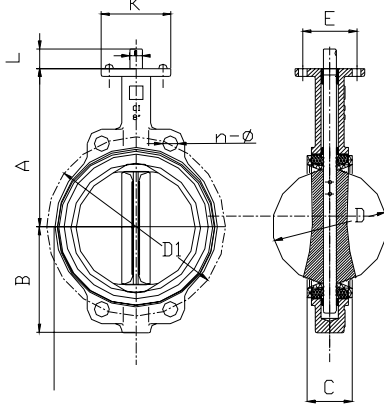


DJV-BWH

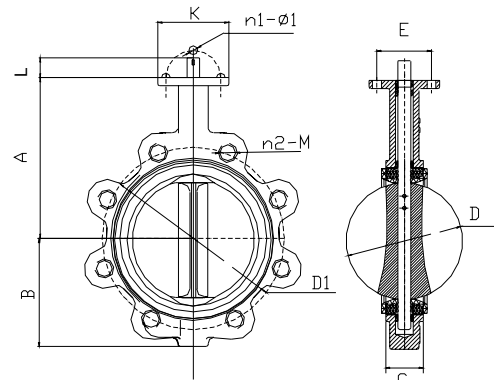
Wafer Body

DJV-BLH

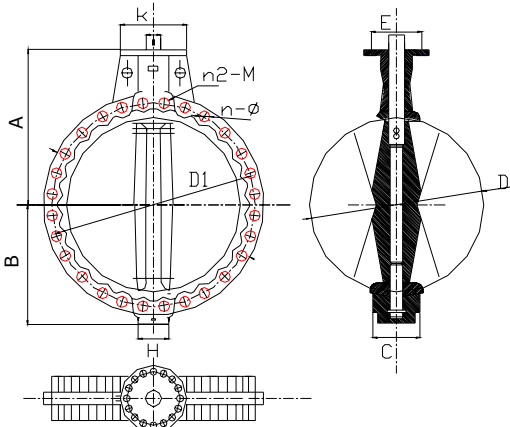
Lug Body



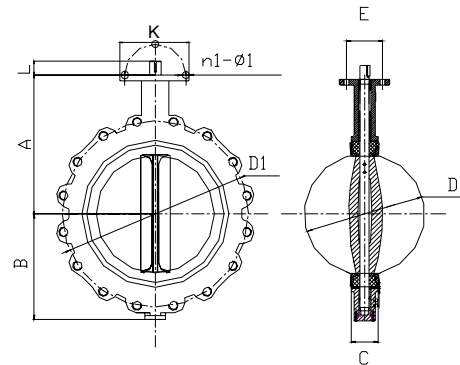
Wafer Body: 2" (DN50) ~ 24"



Lug Body: 2" (DN50) ~ 14" (DN350)



Wafer Body: 28" (DN700) ~ 40"



Lug Body: 16" (DN400) ~ 24" (DN600)

DIMENSION (mm): for Wafer Butterfly Valve

INCH	MM	A	B	C	D	L	D1	n-φ	K	E	WT (KG)
2"	50	161	80	42	52.9	32	120	4-23.0	77	57.15	2.5
2-1/2"	65	175	89	44.7	64.5	32	136.2	4-26.5	77	57.15	3.2
3"	80	181	95	45.2	78.8	32	160	8-18.0	77	57.15	3.6
4"	100	200	114	52.1	104	32	185	4-24.5	92	69.85	4.9
5"	125	213	127	54.4	123.3	32	215	4-23.0	92	69.85	7
6"	150	226	139	55.8	155.6	32	238	4-25.0	92	69.85	7.8
8"	200	260	175	60.6	202.5	45	295	4-25/4-23	115	88.9	13.2
10"	250	292	203	65.6	250.5	45	357	4-29.0	115	88.9	19.2
12"	300	337	242	76.9	301.6	45	407	4-29.0	140	107.95	32.5
14"	350	368	267	76.5	333.3	45	467	4-30.0	140	107.95	41.3
16"	400	400	309	86.5	389.6	51.2/72	515/525	4-26/4-30	197	158.75	61
18"	450	422	328	106	440.51	51.2/72	565/585	4-26/4-30	197	158.75	79
20"	500	480	361	132	491.6	64.2/82	620/650	4-26/4-33	197	158.75	128
24"	600	562	459	152	592.5	70.2/82	725/770	20-30/20-36	276	215.9	188
28"	700	624	520	163	695	66/82	840	24-30/20-36	300	254	284
32"	800	672	591	188	794.7	66/82	950	24-33/24-39	300	254	368
36"	900	720	656	203	864.7	118	1050	24-33	300	254	713
40"	1000	800	721	216	965	142	1160	24-36	300	254	864

DIMENSION (mm): for Lug Butterfly Valve

INCH	MM	A	B	C	D	L	D1	n-M	K	E	WT (KG)
2"	50	161	80	42	52.9	32	125	4-M16	77	57.15	3.8
2-1/2"	65	175	89	44.7	64.5	32	145	4-M16	77	57.15	4.2
3"	80	181	95	45.2	78.8	32	160	8-M16	77	57.15	4.7
4"	100	200	114	52.1	104	32	180	8-M16	92	69.85	9
5"	125	213	127	54.4	123.3	32	210	8-M16	92	69.85	10.9
6"	150	226	139	55.8	155.6	32	240	8-M20	92	69.85	14.2
8"	200	260	175	60.6	202.5	45	295	8-M20 12-M20	115	88.9	18.2
10"	250	292	203	65.6	250.5	45	350 355	12-M20 12-M24	115	88.9	26.8
12"	300	337	242	76.9	301.6	45	400 410	12-M20 12-M24	140	108	40
14"	350	368	267	76.5	333.3	45	460 470	16-M20 16-M24	140	108	69.6
16"	400	400	309	86.5	389.4	51.2 72	515 525	16-M24 16-M27	197	158.8	96
18"	450	422	328	106	440.5	51.2 72	565 585	20-M24 20-M27	197	158.8	122
20"	500	480	361	132	491.6	64.2 82	620 625	20-M24 20-M30	197	158.8	202
24"	600	562	459	152	592.5	70.2 82	725 770	20-M27 20-M30	276	215.9	270